

# DISCOVER SE3: 19 INCH LCD TREAD CONSOLE

## PARTS MANUAL

19DT-XWXXX-XX

GAT, GPT, GDT, GIT, GXT, GST

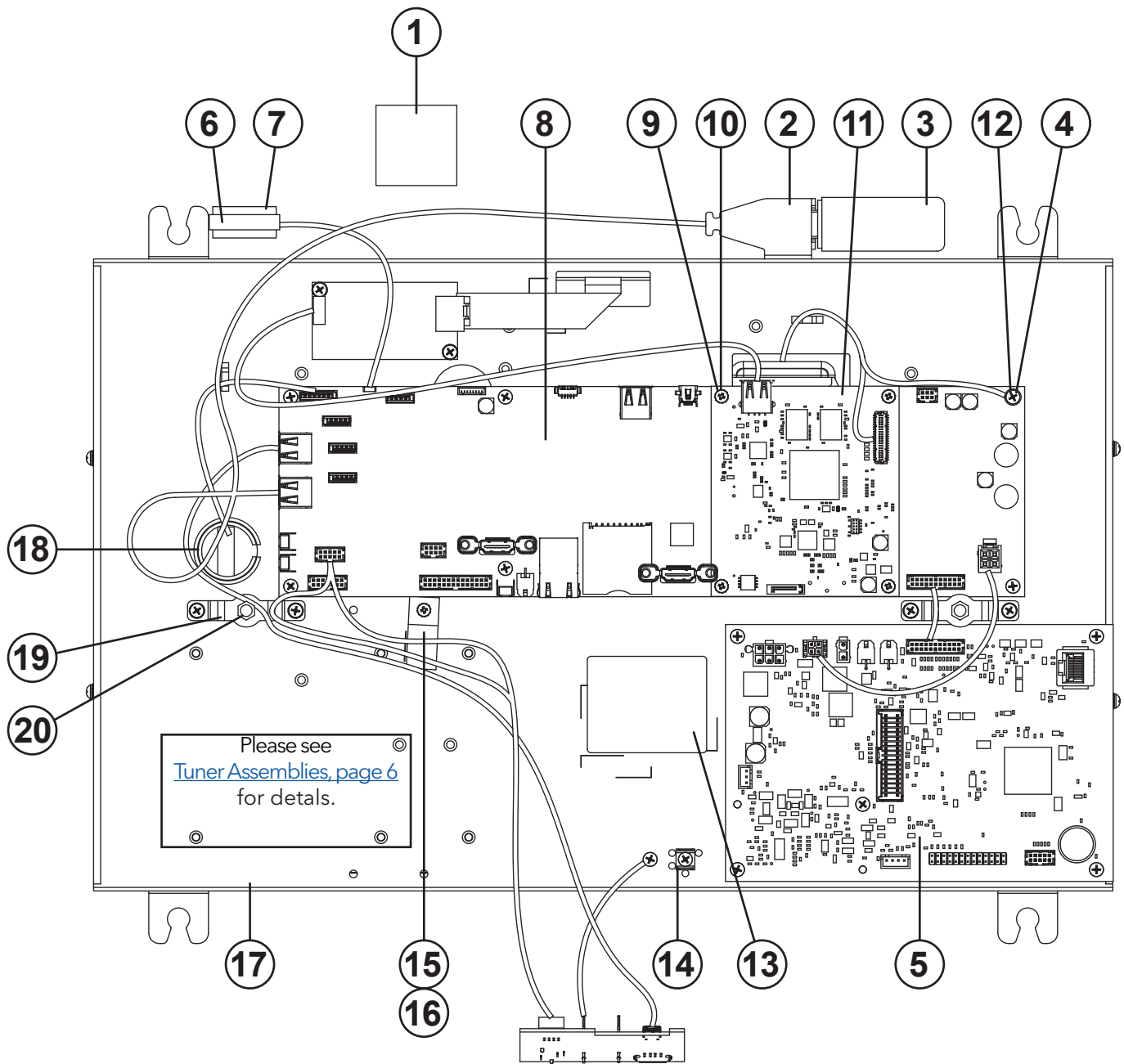


# Table of Contents

<b>Console Serial Number</b>	<b>1</b>
<b>Main Console Components</b>	<b>2</b>
<b>Cables</b>	<b>4</b>
<b>Tuner Assemblies</b>	<b>6</b>
<b>Plastics and Display Components</b>	<b>8</b>
<b>Option Panel</b>	<b>10</b>
<b>Kit Assemblies</b>	<b>11</b>

<b>Console Serial Number</b>			
<b>ATSC / NTSC TUNER (DOMESTIC)</b>			
<b>Part No.</b>	<b>Alpha Code</b>	<b>Description</b>	<b>Serial Number Range</b>
19DT-XWXXA-04	GAT	SE3 19In CONSOLE TREAD WIRELESS ATSC/QAM/NTSC	100001 - 399999
19DT-XWRXA-04	GAT	SE3 19In CONSOLE TREAD WIRELESS RFID ATSC/QAM/NTSC	100001 - 399999
<b>PROIDIOM TUNER (DOMESTIC)</b>			
<b>Part No.</b>	<b>Alpha Code</b>	<b>Description</b>	<b>Serial Number Range</b>
19DT-XWXXP-04	GPT	SE3 19In CONSOLE TREAD PROIDIOM/QAM	100001 - 399999
19DT-XWRXP-04	GPT	SE3 19In CONSOLE TREADRFID PROIDIOM/QAM	100001 - 399999
<b>DVB-T / DVB-T2 / DVB-C / PAL TUNER (INTERNATIONAL)</b>			
<b>Part No.</b>	<b>Alpha Code</b>	<b>Description</b>	<b>Serial Number Range</b>
19DT-XWXXD-05	GDT	SE3 19In CONSOLE TREAD WIRELESS DVBT2/DVBC/PAL/SECAM	100001 - 399999
19DT-XWRXD-05	GDT	SE3 19In CONSOLE TREAD WIRELESS RFID DVBT2/DVBC/PAL/SECAM	100001 - 399999
<b>STB IPTV HW SOLUTION</b>			
<b>Part No.</b>	<b>Alpha Code</b>	<b>Description</b>	<b>Serial Number Range</b>
19DT-XWXXI-04	GIT	SE3 19In CONSOLE TREAD WIRELESS STB SYNC	100001 - 399999
19DT-XWRXI-04	GIT	SE3 19In CONSOLE TREAD WIRELESS RFID STB SYNC	100001 - 399999
<b>IPTV SW SOLUTION (MULTICAST)</b>			
<b>Part No.</b>	<b>Alpha Code</b>	<b>Description</b>	<b>Serial Number Range</b>
19DT-XWXXX-04	GXT	SE3 19In CONSOLE TREAD WIRELESS TUNERLESS	100001 - 399999
19DT-XWRXX-04	GXT	SE3 19In CONSOLE TREAD WIRELESS RFID TUNERLESS	100001 - 399999
<b>ISDB-T (w/B-CAS) / NTSC TUNER</b>			
<b>Part No.</b>	<b>Alpha Code</b>	<b>Description</b>	<b>Serial Number Range</b>
19DT-XWXXS-04	GST	SE3 19In CONSOLE TREAD WIRELESS ISDBT/NTSC	100001 - 399999
19DT-XWRXS-04	GST	SE3 19In CONSOLE TREAD WIRELESS RFID ISDBT/NTSC	100001 - 399999

# Main Console Components



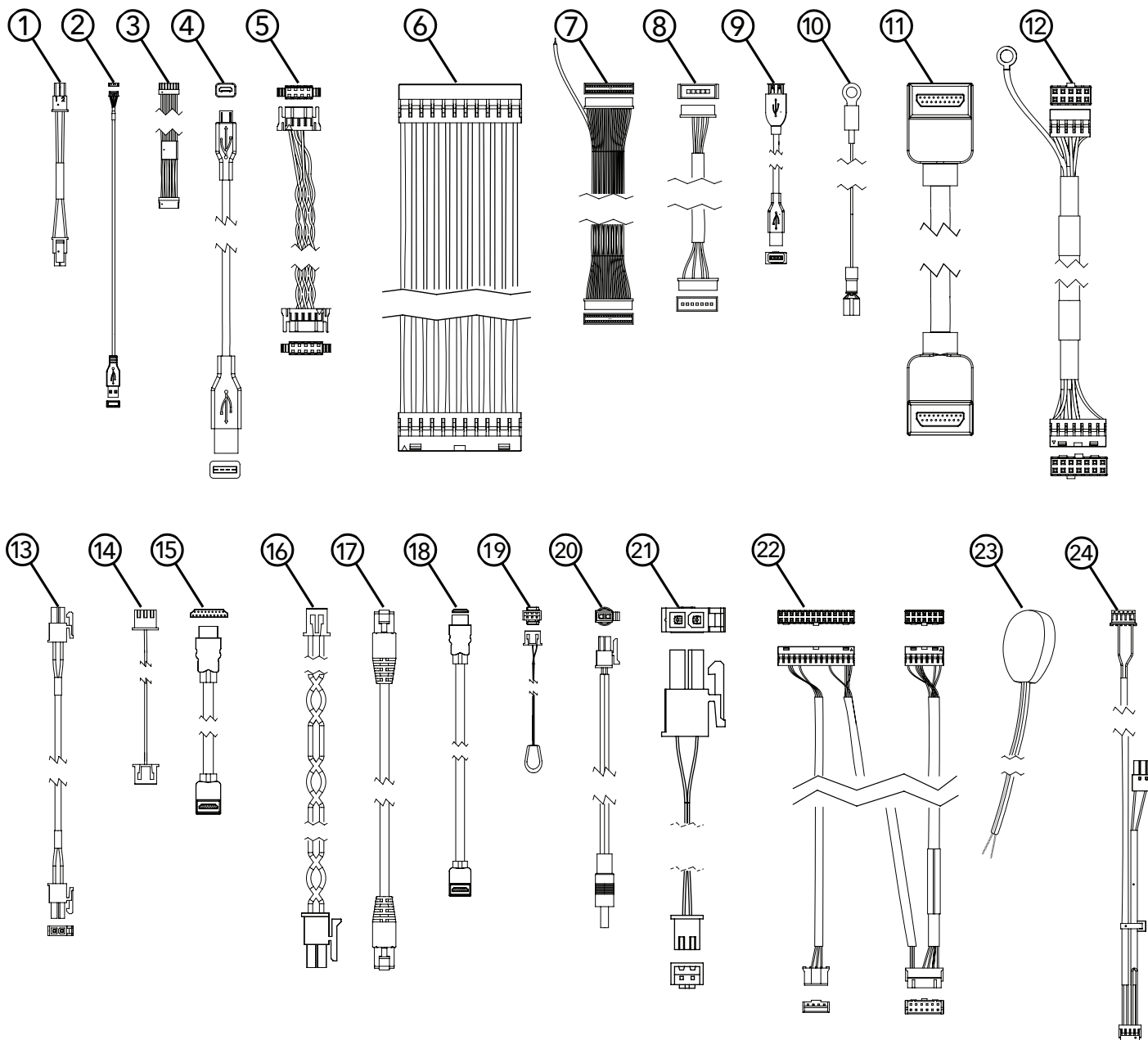
## Parts List

Item	Part Number	Alpha Code	Item Description	Serial Number Range
1	118E-00001-0311	GAT, GPT, GDT, GIT, GXT, GST	Passive NFC Tag	100001 - 399999
2	0K92-01222-0000	GAT, GPT, GDT, GIT, GXT, GST	Wireless Connectivity Bracket	100001 - 399999
3	<b>1002216-0000</b>	GAT, GPT, GDT, GIT, GXT, GST	Wireless Connectivity Module	100001 - 399999
4	0017-00101-2117	GAT, GPT, GDT, GIT, GXT, GST	Screw: M3 X 6 Phillips Pan Head w/ Washer	100001 - 399999
5	<b>B084-92386-0000</b>	GAT, GPT, GDT, GIT, GXT, GST	MIB board	100001 - 399999



Item	Part Number	Alpha Code	Item Description	Serial Number Range
6	118E-00001-0289	GAT, GPT, GDT, GIT, GXT, GST	Bluetooth Dual Mode 4.0 Module	100001 - 399999
7	0K39-01044-0001	GAT, GPT, GDT, GIT, GXT, GST	Double Sided Adhesive	100001 - 399999
8	B084-92388-0001	GAT, GPT, GDT, GIT, GXT, GST	Carrier board, V7	100001 - 399999
9	0017-00009-1335	GAT, GPT, GDT, GIT, GXT, GST	Spacer, round	100001 - 399999
10	0017-00101-2016	GAT, GPT, GDT, GIT, GXT, GST	Screw: M3 X 10 Phillips Pan Head	100001 - 399999
11	A084-92420-0002	GAT, GPT, GDT, GIT, GXT, GST	Programmed IMX6 Board	100001 - 399999
12	0K92-01230-0000	GAT, GPT, GDT, GIT, GXT, GST	Spacer, Plastic	100001 - 399999
13	M051-00518-0000	GAT, GPT, GDT, GIT, GXT, GST	Serial Number UID Label Chassis	100001 - 399999
14	0017-00021-3368	GAT, GPT, GDT, GIT, GXT, GST	Quick Disconnect Terminal	100001 - 399999
15	121E-00001-0025	GAT, GPT, GDT, GIT, GXT, GST	Clamp Filter: Ferrite core with case	100001 - 399999
16	0017-00042-1235	GAT, GPT, GDT, GIT, GXT, GST	Ferrite Mounting bracket	100001 - 399999
17	0K92-01218-0000	GAT, GPT, GDT, GIT, GXT, GST	18.5" Tread Chassis	100001 - 399999
18	0017-00100-0263	GAT, GPT, GDT, GIT, GXT, GST	Rubber O Ring	100001 - 399999
19	0K92-01067-0000	GAT, GPT, GDT, GIT, GXT, GST	Hat Bracket: Tread	100001 - 399999
20	0K92-01068-0000	GAT, GPT, GDT, GIT, GXT, GST	Standoff: M-F Treaded Hex	100001 - 399999

# Cables



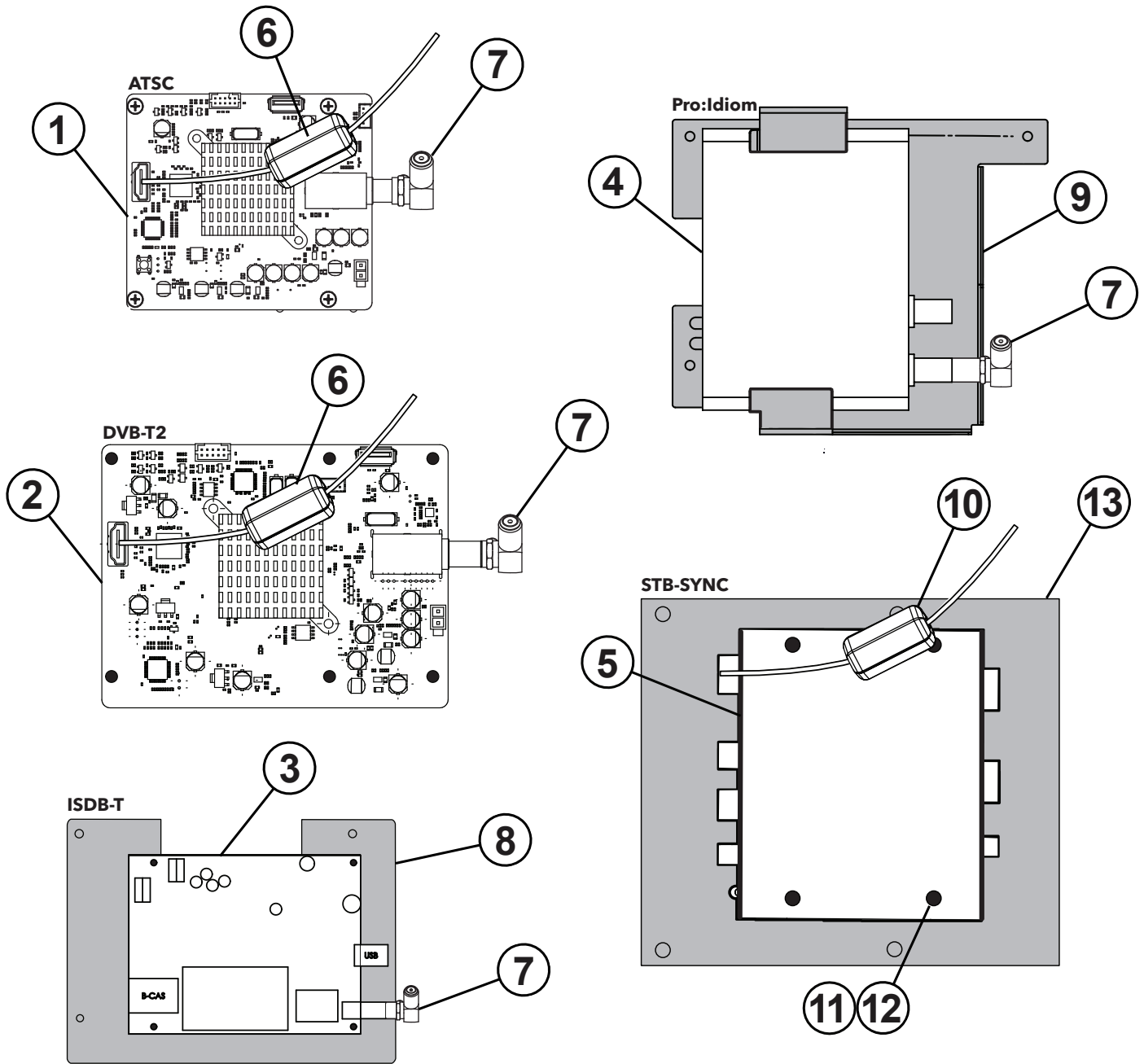
## Parts List

Item	Part Number	Alpha code	Description	Serial Range
1	<a href="#">AK92-00006-0000</a>	GAT, GPT, GDT, GIT, GXT, GST	Cable: Carrier 24V to MIB 24V	100001 - 399999
2	<a href="#">AK92-00082-0000</a>	GAT, GPT, GDT, GIT, GXT, GST	Cable: Touch controller cable (to IMX6)	100001 - 399999
3	<a href="#">AK92-00020-0000</a>	GAT, GPT, GDT, GIT, GXT, GST	Cable: Carrier USB to Bluetooth	100001 - 399999
4	<a href="#">AK92-00072-0000</a>	GAT, GPT, GDT, GIT, GXT, GST	Cable: USB Type A to Micro B	100001 - 399999
5	<a href="#">AK92-00015-0001</a>	GAT, GPT, GDT, GIT, GXT, GST	Cable: Carrier headphone to option panel	100001 - 399999
6	<a href="#">AK92-00027-0000</a>	GAT, GPT, GDT, GIT, GXT, GST	Cable: Carrier to MIB	100001 - 399999
7	<a href="#">AK92-00005-0000</a>	GAT, GPT, GDT, GIT, GXT, GST	Cable: COM LVDS to LCD LVDS	100001 - 399999
8	<a href="#">AK92-00003-0000</a>	GAT, GPT, GDT, GIT, GXT, GST	Cable: Carrier backlight to LCD backlight	100001 - 399999
9	AK92-00073-0002	GAT, GPT, GDT, GIT, GXT, GST	Cable: USB Type A (M) to Type A (F)	100001 - 399999
10	<a href="#">AK65-00103-0002</a>	GAT, GPT, GDT, GIT, GXT, GST	Cable: Ground ESD	100001 - 399999

Item	Part Number	Alpha code	Description	Serial Range
11	AK92-00263-0000	GAT, GDT	Cable: Swift Tuner HDMI to HDMI	100001 - 399999
12	AK92-00264-0000	GAT, GDT	Cable: Swift I2C and Audio	100001 - 399999
13	AK92-00265-0000	GAT, GDT	Cable: Swift Tuner DC power cable	100001 - 399999
14	AK92-00009-0000	GIT	Cable: MIB IR to HDMI Ext. Rcvr IR	100001 - 399999
15	AK92-00014-0000	GIT	Cable: HDMI Ext. Rcvr bd to Carrier bd	100001 - 399999
16	AK92-00018-0000	GIT	Cable: 5V Carrier to HDMI Ext. Rcvr bd	100001 - 399999
17	AK70-00092-0003	GIT	Cable: CAT5e HDMI Ext. Rcvr to Carrier	100001 - 399999
18	AK92-00268-0000	GPT	Cable: HDMI PI STB to Carrier bd	100001 - 399999
19	AK92-00269-0000	GPT	Cable: MIB IR to PI STB IR	100001 - 399999
20	AK92-00270-0000	GPT	Cable: 5V Power PI STB	100001 - 399999
21	1004460-0001	GST	Cable: 12V Power DCI Tuner	100001 - 399999
22	1005481-0001	GST	Cable: DCI Tuner COMM/Audio/Video	100001 - 399999
23	1003446-0001	GIT	IR Emitter cable, spare for STB-SYNC TX kit	100001 - 399999
24	AK92-00063-0000*	GAT, GPT, GDT, GIT, GXT, GST	Cable: NFC/RFID Serial COMM (Elatec)	100001 - 399999

\*RFID serial cable is to be used with the optional RFID module

# Tuner Assemblies

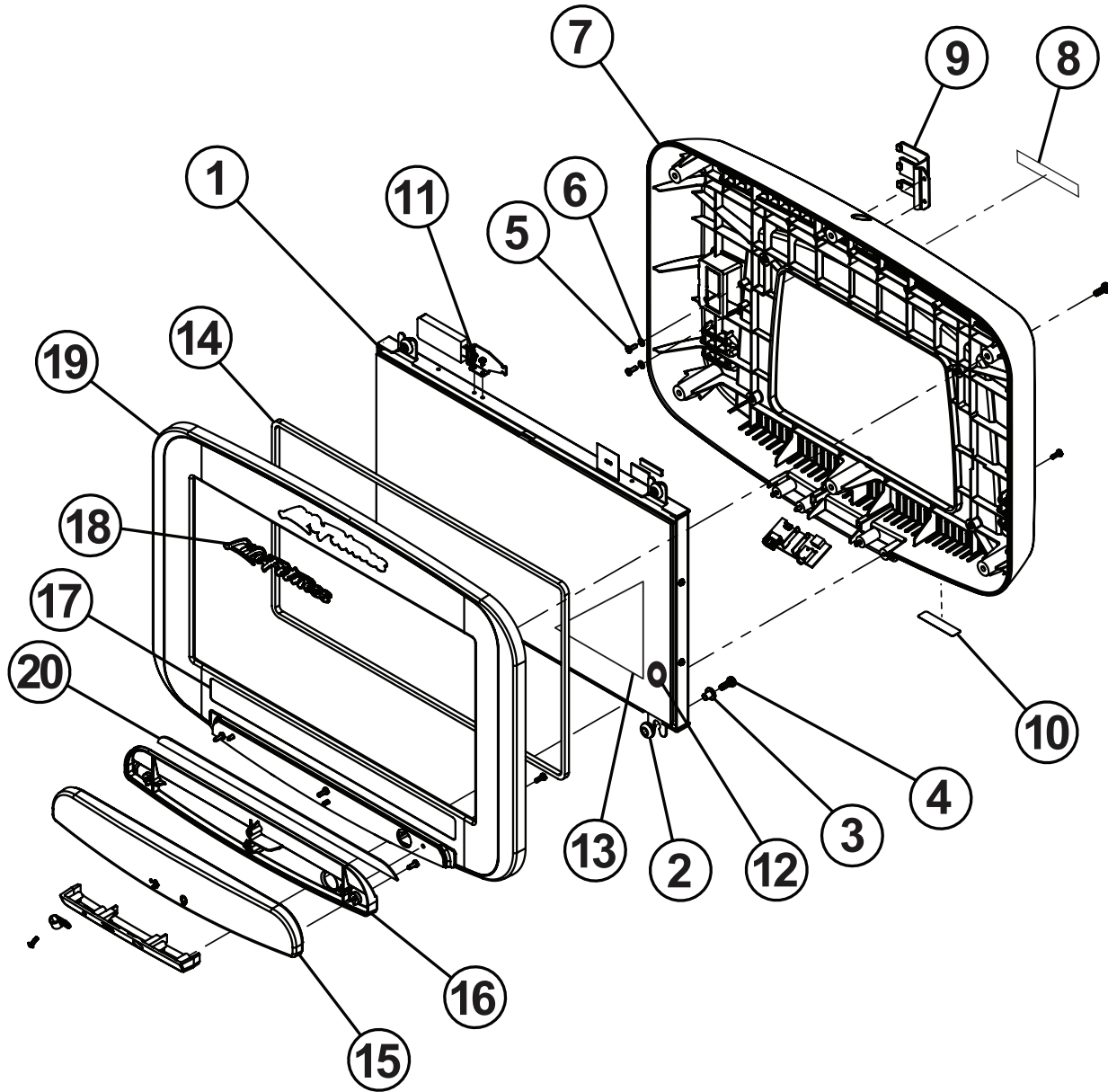


## Parts List

ATSC HDMI Digital Tuner Board W/H.264				
Item	Part Number	Alpha Code	Item Description	Serial Number Range
1	A084-92516-0001	GAT	ATSC HDMI Digital Tuner Board W/H.264	100001 - 399999
7	1006406-0001	GAT	Right Angle Coaxial Type-F Adapter	100001 - 399999
6	1006779-0001	GAT	Snap On Ferrite	100001 - 399999
<b>Cables</b>				
	Item 12, <a href="#">page 5</a>		Cable: Swift Tuner HDMI to HDMI	
	Item 13, <a href="#">page 5</a>		Cable: Swift I2C and Audio	
	Item 14, <a href="#">page 5</a>		Cable: Swift Tuner DC power cable	

<b>DVB-T2 HDMI Digital Tuner Board</b>				
<b>Item</b>	<b>Part Number</b>	<b>Alpha Code</b>	<b>Item Description</b>	<b>Serial Number Range</b>
2	A084-92517-0000	GDT	DVB-T2 HDMI Digital Tuner Board	100001 - 399999
7	1006406-0001	GDT	Right Angle Coaxial Type-F Adapter	100001 - 399999
6	1006779-0001	GDT	Snap On Ferrite	100001 - 399999
<b>Cables</b>				
	Item 12, <a href="#">page 5</a>	Cable: Swift Tuner HDMI to HDMI		
	Item 13, <a href="#">page 5</a>	Cable: Swift I2C and Audio		
	Item 14, <a href="#">page 5</a>	Cable: Swift Tuner DC power cable		
<b>ISDB-T tuner (DCI)</b>				
<b>Item</b>	<b>Part Number</b>	<b>Alpha Code</b>	<b>Item Description</b>	<b>Serial Number Range</b>
3	1004461-0001	GST	ISDB-T tuner (DCI)	100001 - 399999
7	1006406-0001	GST	Right Angle Coaxial Type-F Adapter	100001 - 399999
8	1004310-0001	GST	DCI ISDB Tuner Bracket	100001 - 399999
<b>Cables</b>				
	Item 22, <a href="#">page 5</a>	Cable: 12V Power DCI Tuner		
	Item 23, <a href="#">page 5</a>	Cable: DCI Tuner COMM/Audio/Video		
<b>Pro:Idiom STB RF To HDMI</b>				
<b>Item</b>	<b>Part Number</b>	<b>Alpha Code</b>	<b>Item Description</b>	<b>Serial Number Range</b>
4	118E-00001-0312	GPT	Pro:Idiom STB RF To HDMI	100001 - 399999
7	1006406-0001	GPT	Right Angle Coaxial Type-F Adapter	100001 - 399999
9	1003138-0001	GPT	PI STB Bracket	100001 - 399999
<b>Cables</b>				
	Item 19, <a href="#">page 5</a>	Cable: HDMI PI STB to Carrier bd		
	Item 20, <a href="#">page 5</a>	Cable: MIB IR to PI STB IR		
	Item 21, <a href="#">page 5</a>	Cable: 5V Power PI STB		
<b>STB-SYNC Receiver Board (Atlona)</b>				
<b>Item</b>	<b>Part Number</b>	<b>Alpha Code</b>	<b>Item Description</b>	<b>Serial Number Range</b>
5	118E-00001-0300	GIT	STB-SYNC Receiver Board (Atlona)	100001 - 399999
13	0K92-01085-0000	GIT	STB-SYNC Receiver Board Chassis Mounting Plate	100001 - 399999
10	0017-00021-3386	GIT	Snap On Ferrite	100001 - 399999
11	0017-00009-1343	GIT	Female Threaded hex standoff	100001 - 399999
12	0017-00009-1342	GIT	Male-Female Threaded hex standoff	100001 - 399999
<b>Cables</b>				
	Item 15, <a href="#">page 5</a>	Cable: MIB IR to HDMI Ext. Rcvr IR		
	Item 16, <a href="#">page 5</a>	Cable: HDMI Ext. Rcvr bd to Carrier bd		
	Item 17, <a href="#">page 5</a>	Cable: 5V Carrier to HDMI Ext. Rcvr bd		
	Item 18, <a href="#">page 5</a>	Cable: CAT5e HDMI Ext. Rcvr to Carrier		

# Plastics and Display Components

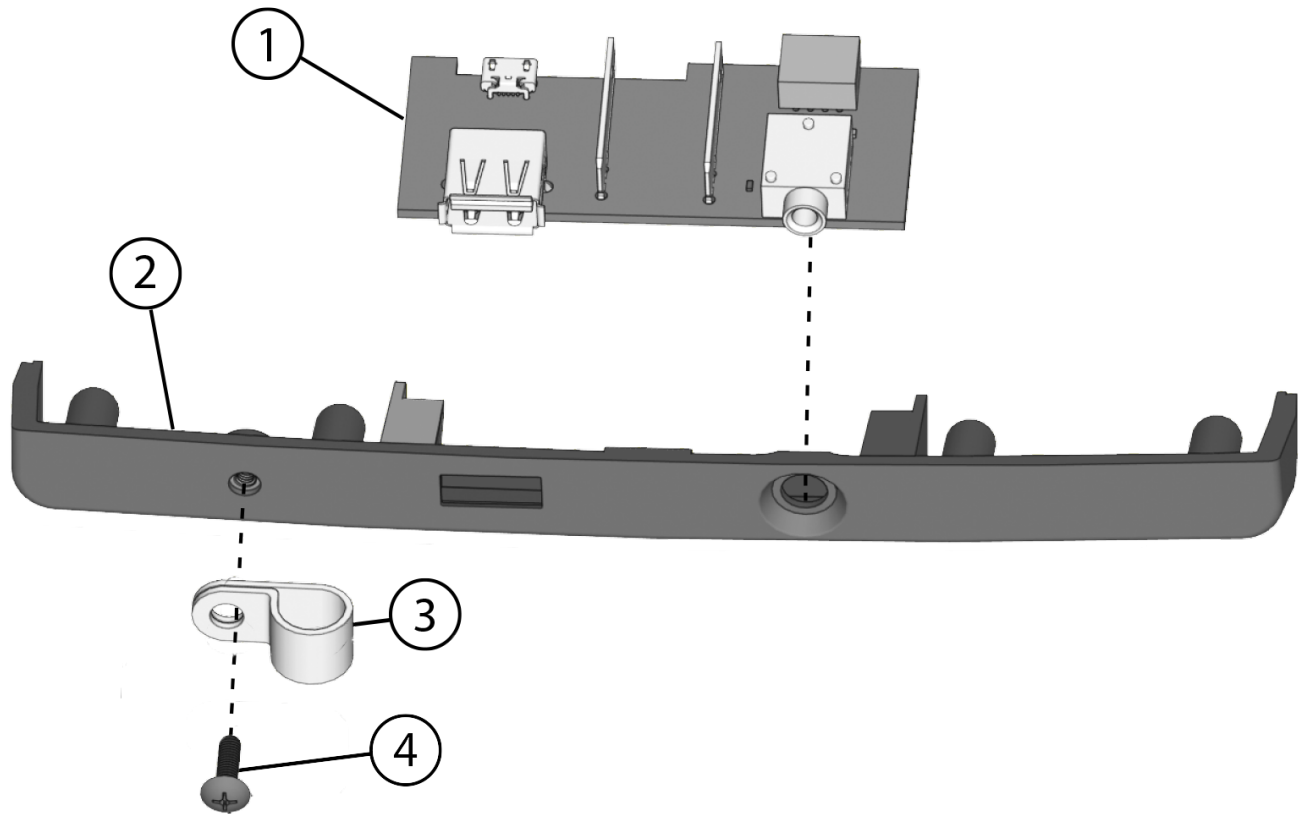


## Parts List

Item	Part Number	Alpha Code	Item Description	Serial Number Range
1	AK92-00037-0000	GAT, GPT, GDT, GIT, GXT, GST	KIT: 18.5" LCD Panel & Touch Screen Assembly	100001 - 399999
2	0017-00042-1160	GAT, GPT, GDT, GIT, GXT, GST	Grommet, Vibration	100001 - 399999
3	OK58-01381-0000	GAT, GPT, GDT, GIT, GXT, GST	Bushing, Shoulder	100001 - 399999
4	0017-00101-1972	GAT, GPT, GDT, GIT, GXT, GST	Screw: M5 X 14 Phillips Pan Head	100001 - 399999
5	0017-00101-1650	GAT, GPT, GDT, GIT, GXT, GST	Screw: VMI 6-19 X 6 Phillips Pan Head	100001 - 399999
6	0017-00104-0456	GAT, GPT, GDT, GIT, GXT, GST	Washer CSAFE Door	100001 - 399999
7	OK92-01010-2400	GAT, GPT, GDT, GIT, GXT, GST	Rear Plastic Bezel Tread	100001 - 399999
8	1002662-0001	GAT, GPT, GDT, GIT, GXT, GST	COO-ARABIC Label	100001 - 399999
9	OK99-01001-2400	GAT, GPT, GDT, GIT, GXT, GST	CSAFE Access Door	100001 - 399999
10	M051-00519-0000	GAT, GPT, GDT, GIT, GXT, GST	Serial Number Label Small Rear Bezel	100001 - 399999
11	0017-00101-1971	GAT, GPT, GDT, GIT, GXT, GST	Screw: M3 X 6 Phillips Pan Head	100001 - 399999

Item	Part Number	Alpha Code	Item Description	Serial Number Range
12	0017-00042-1231	GAT, GPT, GDT, GIT, GXT, GST	Grommet, Vibration	100001 - 399999
13	0K88-01005-0000	GAT, GPT, GIT, GXT	Art: Label: Energy guide	100001 - 399999
14	OK92-01016-0000	GAT, GPT, GDT, GIT, GXT, GST	18.5" LCD Gasket	100001 - 399999
15	OK92-01205-2400	GAT, GPT, GDT, GIT, GXT, GST	Reading Rack Front Tread	100001 - 399999
16	OK92-01206-2400	GAT, GPT, GDT, GIT, GXT, GST	Reading Rack Rear Tread	100001 - 399999
17	0K92-01233-0000	GAT, GPT, GDT, GIT, GXT, GST	Label: Warning Tread	100001 - 399999
18	OK92-01025-0000	GAT, GPT, GDT, GIT, GXT, GST	Life Fitness Decal Console Front	100001 - 399999
19	OK92-01003-2400	GAT, GPT, GDT, GIT, GXT, GST	Front Plastic Bezel Tread	100001 - 399999
20	0K92-01021-0700	GAT, GPT, GDT, GIT, GXT, GST	Rubber Insert: Reading Rack Ledge Tread Black	100001 - 399999

# Option Panel



## Parts List

Item	Part No.	Alpha Code	Description	Serial Number Range
1	B084-92391-0004	GAT, GPT, GDT, GIT, GXT, GST	PCB-ASSY: USB/HEADPHONE ASSEMBLY	100001 - 399999
2	0K92-01201-2400	GAT, GPT, GDT, GIT, GXT, GST	PLASTIC: D2 OPTIONS PANE	100001 - 399999
3	0K92-01229-0000	GAT, GPT, GDT, GIT, GXT, GST	CLIP: D2 CABLE CLAMP	100001 - 399999
4	0017-00101-2100	GAT, GPT, GDT, GIT, GXT, GST	M3 X .5 X 10 PHL PAN MS ST BZ	100001 - 399999



# Kit Assemblies

Part No.	Alpha Code	Description	Serial Number Range
GK92-00002-0015	GAT, GPT, GDT, GIT, GXT, GST	Kit: Option Panel Charcoal Gray	100001 - 399999
GK92-00002-0012	GAT, GPT, GDT, GIT, GXT, GST	Kit: RFID Reading Rack, Tread, Charcoal Gray	100001 - 399999
GK92-00037-0000	GAT, GPT, GDT, GIT, GXT, GST	Kit: 19" Touchscreen + LCD + Touch Controller Board	100001 - 399999
AK92-00267-0000	GAT, GPT, GDT, GIT, GXT, GST	Kit: Discover RFID Installation	100001 - 399999
GK92-00002-0006	GAT, GPT, GDT, GIT, GXT, GST	Kit: Bezel + Decal Tread Charcoal Gray	100001 - 399999
IPTV-TXKIT-02	GIT	Kit: Discover STB-SYNC Transmitter	100001 - 399999
GK92-00002-0002	GAT, GPT, GDT, GIT, GXT, GST	Kit: Wireless Connectivity Retrofit	100001 - 399999
GK92-00002-0003	GAT, GPT, GDT, GIT, GXT, GST	Kit: RFID Retrofit	100001 - 399999